

# **Installation Guide**

**HP 3000 9x9KS**

**Enterprise Servers**



**Part No. A2375-90005**

**Edition 6  
March 1999**

**E0399**

---

## Legal Notices

The information contained in this document is subject to change without notice.

*Hewlett-Packard makes no warranty of any kind with regard to this material, including, but not limited to, the implied warranties of merchantability and fitness for a particular purpose. Hewlett-Packard shall not be liable for errors contained herein or direct, indirect, special, incidental or consequential damages in connection with the furnishing, performance, or use of this material.*

**Restricted Rights Legend.** Use, duplication or disclosure by the U.S. Government is subject to restrictions as set forth in subparagraph (c) (1) (ii) of the Rights in Technical Data and Computer Software clause at DFARS 252.227-7013 for DOD agencies, and subparagraphs (c) (1) and (c) (2) of the Commercial Computer Software Restricted Rights clause at FAR 52.227-19 for other agencies.

HEWLETT-PACKARD COMPANY 3000 Hanover Street Palo Alto, California 94304 U.S.A.

**Copyright Notices.** Copyright © 1983-1999 Hewlett-Packard Company, All Rights Reserved.

Reproduction, adaptation, or translation of this document without prior written permission is prohibited, except as allowed under the copyright laws.

**Trademark Notices.** UNIX is a registered trademark in the United States and other countries, licensed exclusively through X/Open Company Limited.

---

## Printing History

The manual printing date and part number indicate its current edition. The printing date will change when a new edition is printed. Minor changes may be made at reprint without changing the printing date. the manual part number will change when extensive changes are made.

Manual updates may be issued between editions to correct errors or document product changes. To ensure that you receive the updated or new editions, you should subscribe to the appropriate product support service. See your HP sales representative for details.

February 1995.....	Edition 1
September 1995.....	Edition 2
January 1996.....	Edition 3
September 1996.....	Edition 4
August 1998.....	Edition 5
March 1999.....	Edition 6

### Change Narrative

- Edition 6 changes include the following:
  - a. Changed title for consistency.
  - b. Incorporated minor corrections and updates as required.
- Edition 5 changes include the following:
  - a. Added references to the 929KS and 989KS systems as appropriate.
  - b. Incorporated minor corrections and updates to the entire manual.

---

**NOTE**      **Reader Comments.** We welcome your comments about our documentation. If you have editorial suggestions or recommend improvements for this document, please write to us. You can reach us through e-mail at: [hardwaredocs@cup.hp.com](mailto:hardwaredocs@cup.hp.com) or by sending your letter to: Documentation Manager, M/S 5657, Hewlett-Packard Company, 8000 Foothills Blvd., Roseville, CA 95747-5657 USA. Please include the following information in your message:

- Title of the manual you are referencing.
- Manual part number (from the title page).
- Edition number or publication date (from the title page).
- Your name.
- Your company's name.

SERIOUS ERRORS, such as technical inaccuracies that may render a program or a hardware device inoperative, should be reported to your HP Response Center or directly to a Support Engineer.

---

---

## **Preface**

This edition of the HP 3000/9x9KS Installation Guide contains technical information about HP 3000 computer systems. The HP 3000/9x9KS family includes the following models:

### **HP 3000**

Model 929KS

Model 939KS

Model 959KS

Model 969KS

Model 979KS

Model 989KS

# HP 3000 Series Computer Installation Procedures

---

This Installation Guide illustrates the procedures for installing the HP 3000 Series 929KS/939KS/959KS/969KS/979KS and 989KS computer. The contents of this guide include:

1. Overview of System Installation - a brief description of the installation procedure.
2. Overview of System Power/Data Cabling - A reference figure showing the basic power and data connections for the core system (System Processing Unit and Console).
3. Installation Steps - A series of figures showing each step in the installation process. Brief explanations below each figure provide additional information.

---

## Introduction

### *Overview of System Installation*

1. **Console, Keyboard, and Uninterruptible Power System (UPS):**
  - a. Connect the console data cable to the “Console” port on the system core I/O card.
  - b. Plug the console power cable into a “UPS” power receptacle.
  - c. Connect the keyboard cable to the keyboard connector on the console.
  - d. Connect the UPS data cable between the UPS connector on the system and the appropriate data connector on the UPS.
2. **Local Area Network (LAN):**

Connect the LAN to either the “THINLAN” or “AUI” connector on the system core I/O card.
3. **SCSI Cabling (Single-ended & Fast/Wide Differential):**
  - a. Connect a high-density Single-ended (SE) SCSI cable or terminator to the “SE SCSI” connector on the system core I/O card.
  - b. Connect a Fast/Wide Differential SCSI cable or terminator to the “F/W DIFF SCSI” connector on the system core I/O card.

**4. Internal or External Modem:**

- a. Connect a line access module to the "INTERNAL MODEM" connector on the core I/O card. If using the internal modem, do not connect an external modem. Proceed to the "Power Connections" step.
- b. If not using the internal modem, connect an external modem to the "EXTERNAL MODEM" connector on the system core I/O card.

**5. Summary of System Connections:**

- a. Before powering on the system, confirm that all system data and power cables are correctly connected.
- b. Check that all connectors and plugs are firmly seated.

**6. Stabilizer Block (Chock Block):**

Roll the system cabinet onto the stabilizer block in the desired location to prevent the system cabinet from being inadvertently moved around.

**7. Power Connections:**

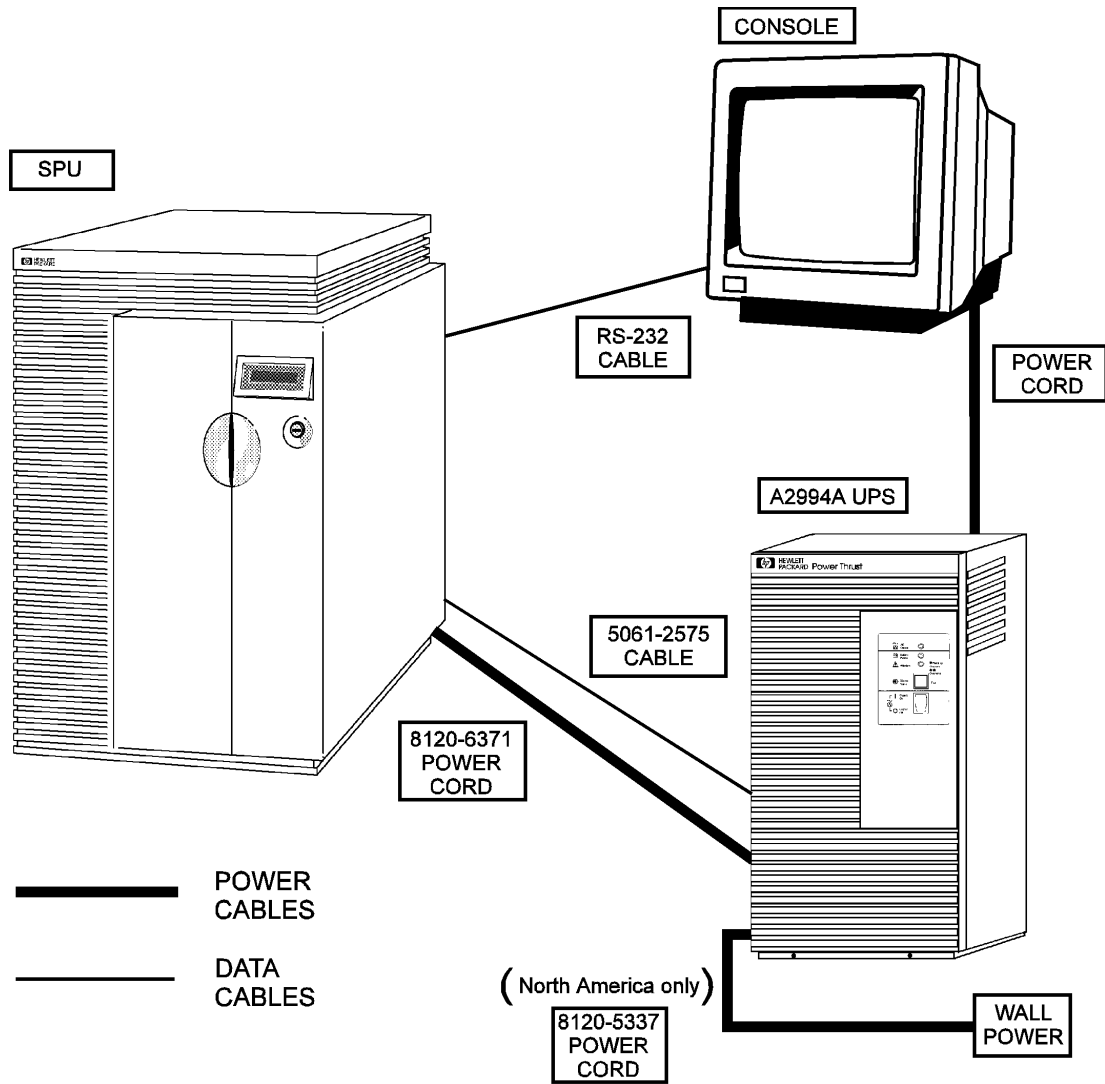
- a. Plug the system power cable into the appropriate power receptacle at the rear of the Uninterruptible Power System (UPS).
- b. Plug the UPS power cable into wall power.

**8. Power On:**

- a. Turn on the Uninterruptible Power System (UPS).
- b. Turn on all peripherals
- c. Turn on the system by setting the key switch to the "ON" position.
- d. Refer to the Operator's Handbook that came with your system for operator information.

### Overall View of System Power/Data Cabling

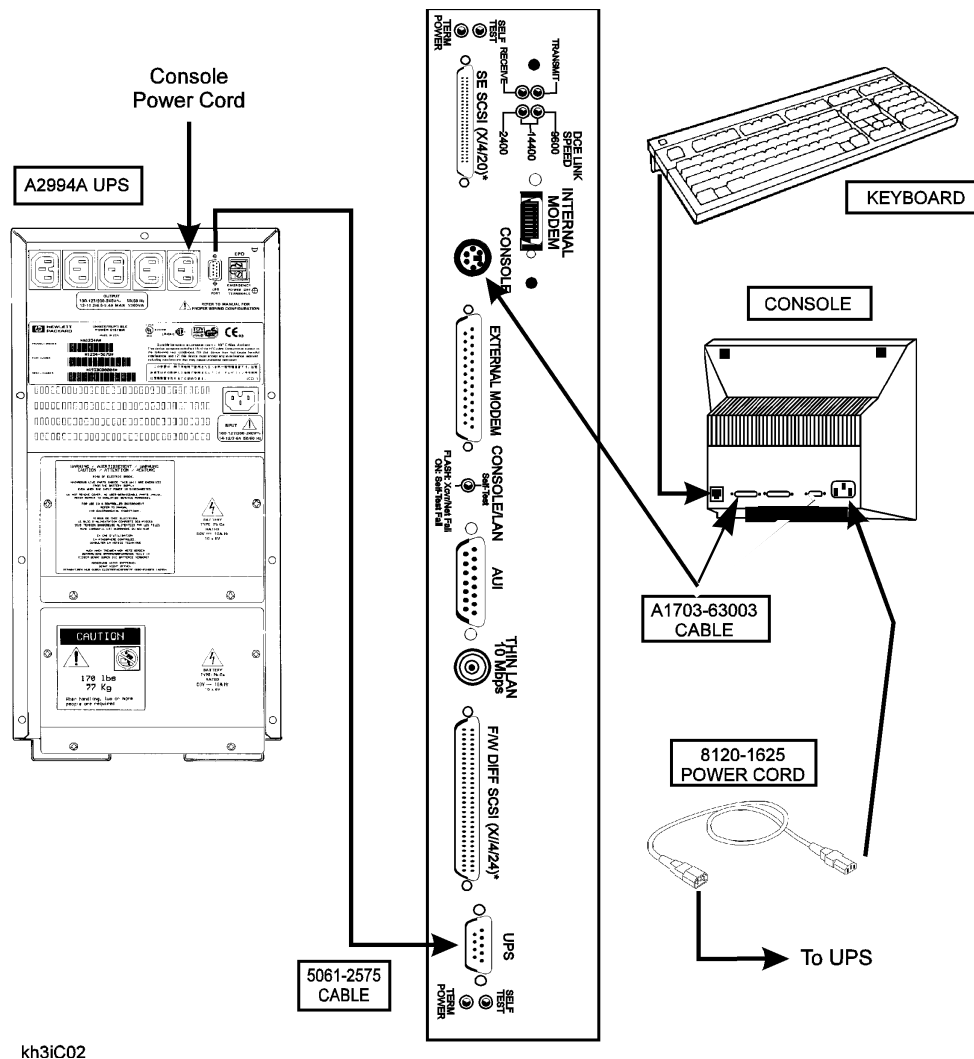
The figure below shows an overview of the power and data cabling for the system (SPU), console, and the optional UPS, and is intended for reference only. To proceed with actual installation of the system, start at the page titled "Standard Console, Keyboard, and Optional UPS".



kh3iC10

## Console, Keyboard, and UPS

**NOTE** The A2994A (1.8KvA) UPS shown in the example is supported only on models 929KS/939KS/959KS/969KSx00 and 969KSx20. The A2997A (3.0KvA UPS) is supported on models 979KS and 989KS. Although the rear panel on the 1.8KvA UPS is different from the 3.0KvA UPS, both systems use a similar data connection.



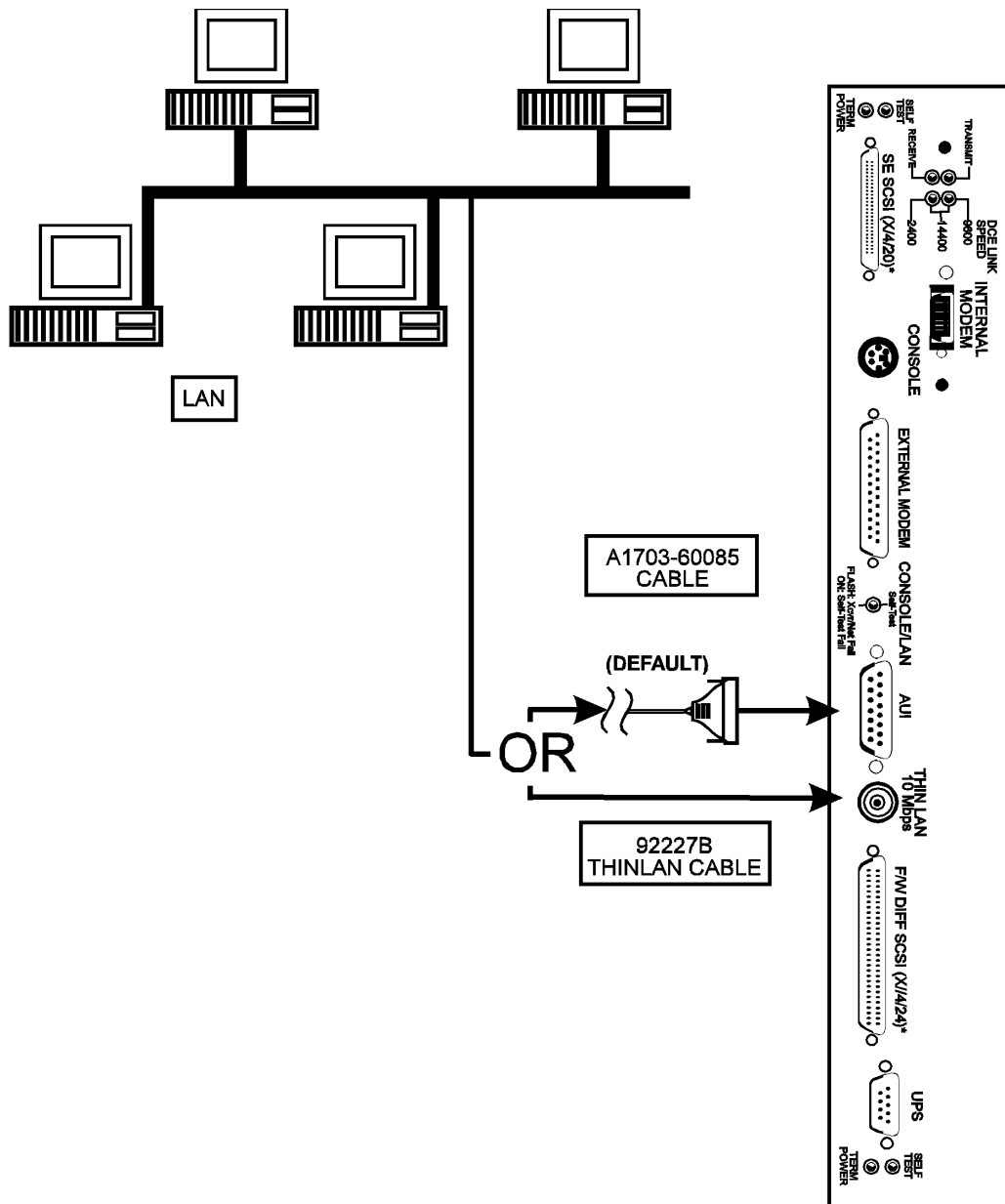
kh3iC02

1. Connect the console data cable to the "Console" port on the system core I/O card.
2. Plug the console power cable into a UPS power receptacle.
3. Connect the keyboard cable to the keyboard connector on the console.
4. Connect the UPS data cable between the "UPS" connector on the system and the appropriate data connector on the UPS.

**CAUTION** Do not plug the UPS into a power receptacle at this time.



## Local Area Network (LAN)

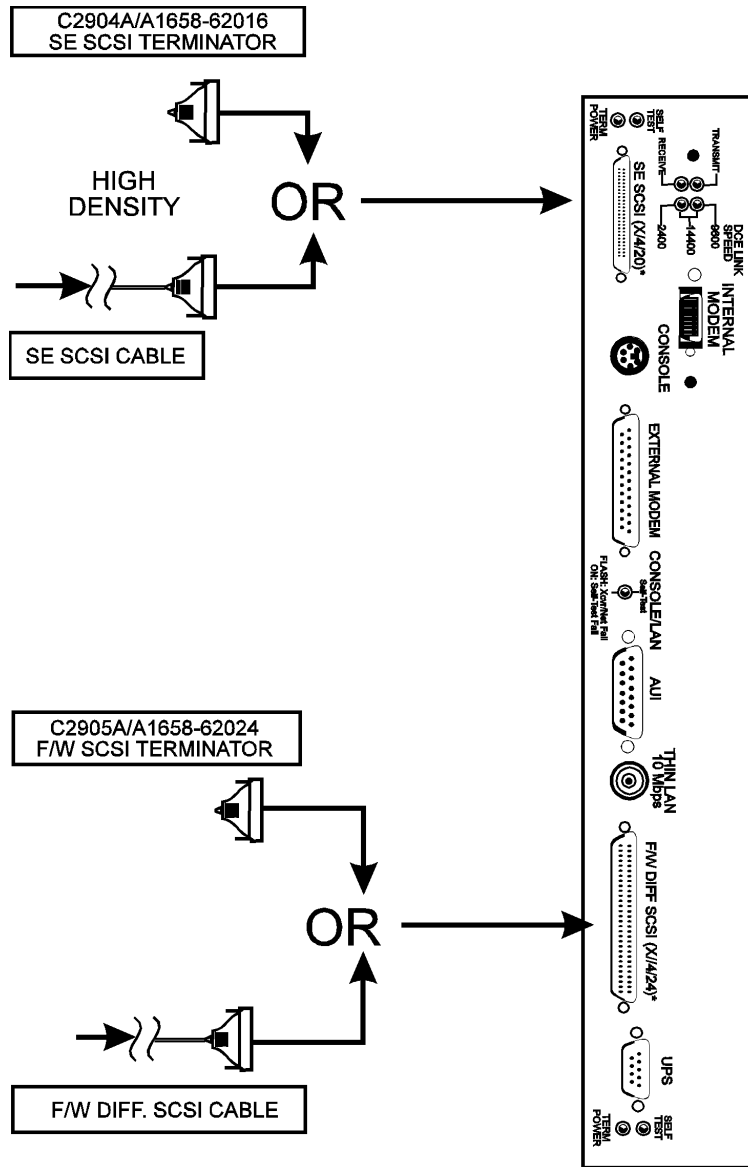


kh3iC03b

Connect the LAN to either the “THINLAN” or “AUI” connector on the system core I/O card.

**CAUTION** The ThinLAN and AUI LAN can not be connected at the same time. Only one LAN connector can be active at a time. The AUI connector is selected as the default connector. If you need to have the ThinLAN connector active, contact your local Hewlett Packard Service or Sales representative.

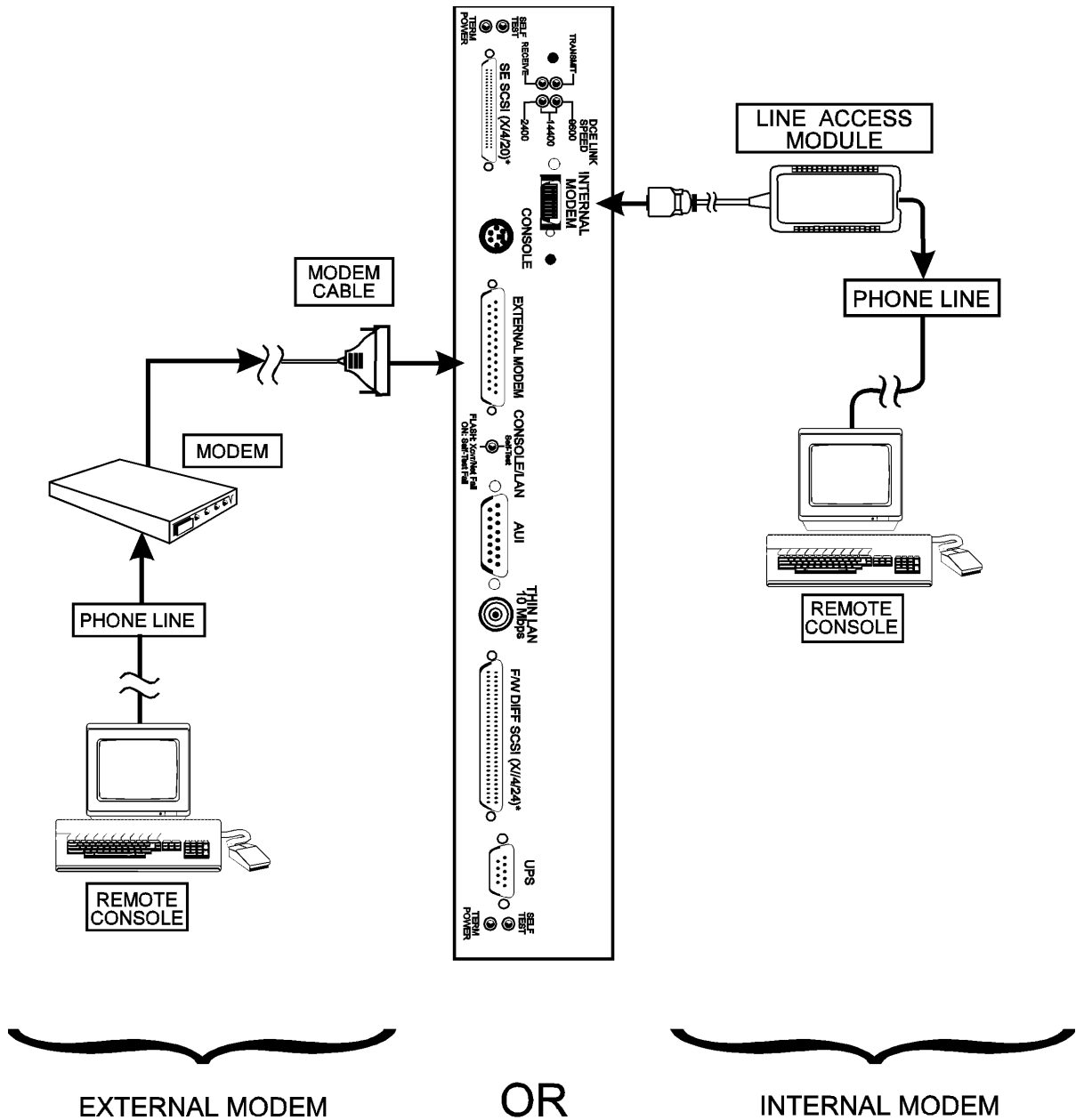
## SCSI Cabling (Single-ended & Fast/Wide Differential)



kh3iC05a

1. Connect a high-density Single-Ended (SE) SCSI cable or terminator to the “SE SCSI” connector on the system core I/O card.
2. Connect a Fast/Wide Differential SCSI cable or terminator to the “F/W DIFF SCSI” connector on the system core I/O card.

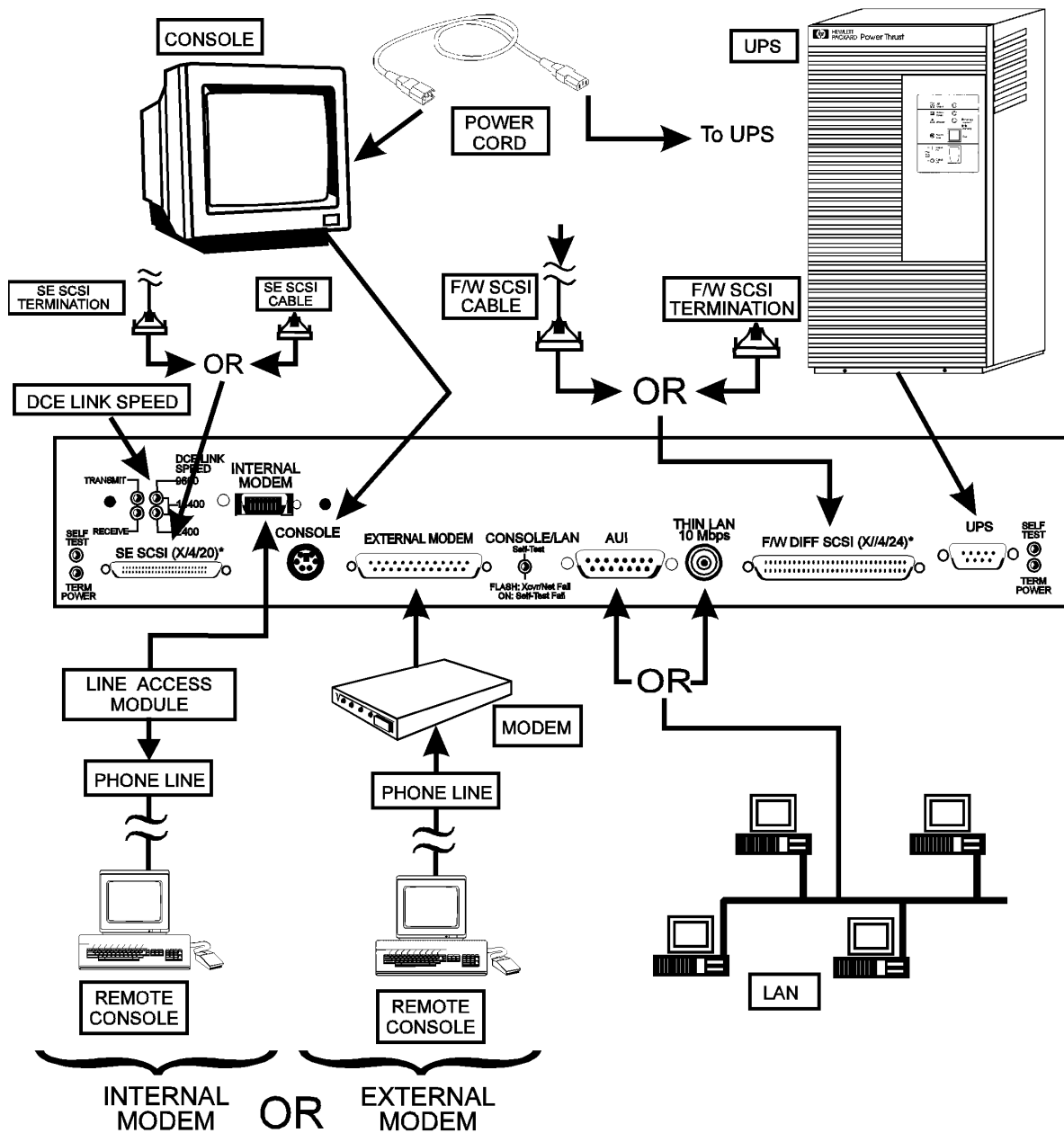
## Internal or External Modem



kh3iC04a

1. Connect a LAM (Line Access Module — an adaptor for connecting the modem to the local country phone system) to the "INTERNAL MODEM" connector on the system core I/O card. If using an internal modem, do not connect an external modem. Proceed to the "Power Connections" step.
2. If you are not using the internal modem, connect an external modem to the "EXTERNAL MODEM" connector on the system core I/O card.

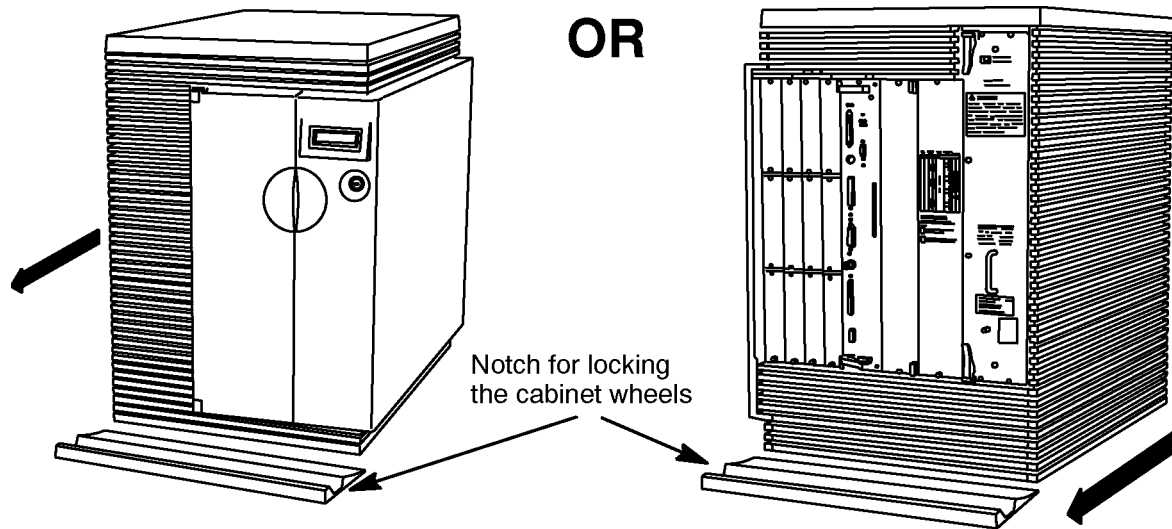
## Summary of System Connections



kh3iC07a

The figure above is a summary of all the system connections previously described. You should use this figure to make a quick check of all connections you have made to ensure that they are correct before connecting power cabling.

## Stabilizer Block (Chock Block)



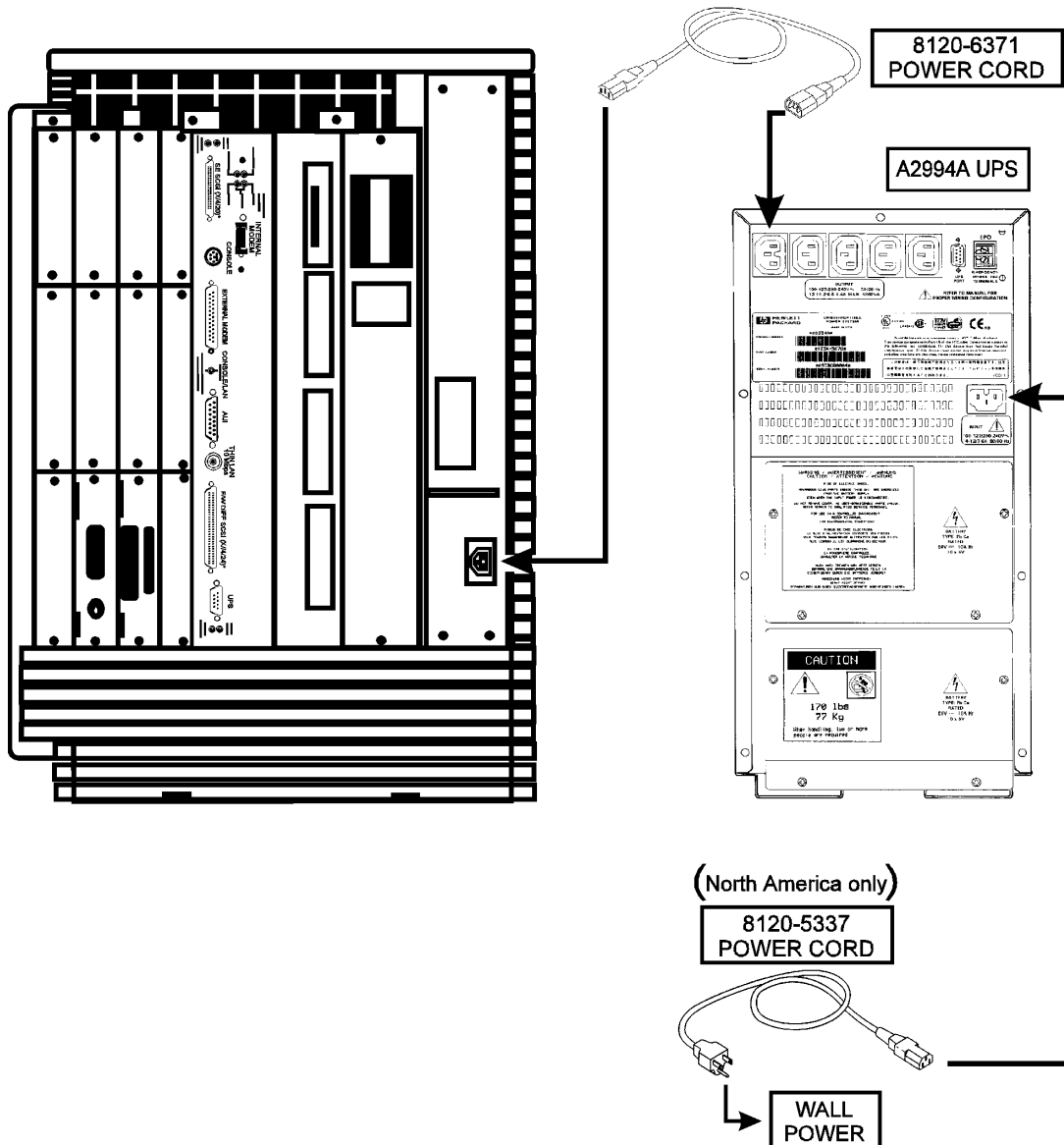
khmu036a

The stabilizer block (or chock block) is used to prevent the system cabinet from being inadvertently moved around. The block can be placed under either the front or rear wheels.

1. Position the stabilizer block at the desired location for the system cabinet.
2. Roll the system cabinet onto the stabilizer block until the front (or rear) wheels fall into the notch in the stabilizer block.

## Power Connections

*Models 929KS/939KS/959KS/969KSx00 and 969KSx20*

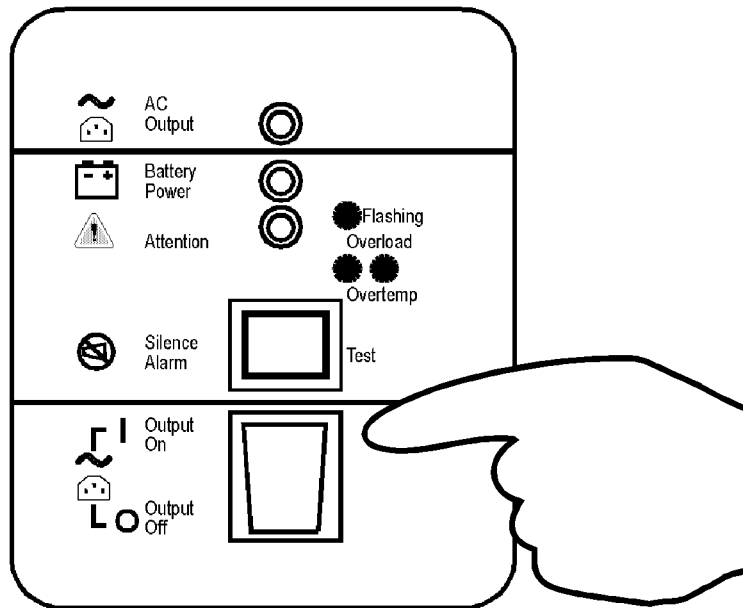


kh3iC06a

1. Plug the system power cable into the power receptacle closest to the upper-left corner at the rear of the Uninterruptible Power System (UPS).
2. Plug the UPS power cable into wall power.



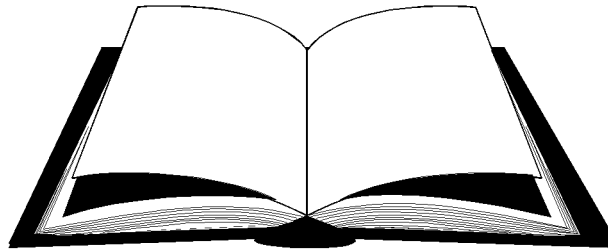
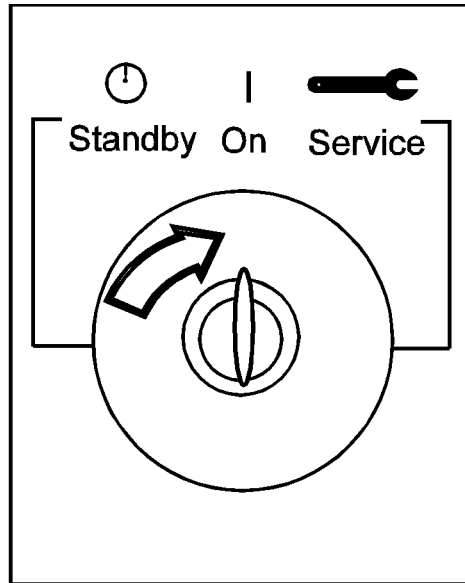
## POWER-ON: First, Turn On the UPS and All Peripherals



1. Turn on the UPS.
2. Turn on all peripherals. Be sure all peripherals are on with no error indications.



## Then, Turn On the System



Operator's  
Handbook

kh3iC08

3. Turn on the system by setting the key switch to the "ON" position.
4. Refer to the Operator's Handbook that came with your system for operator information.

